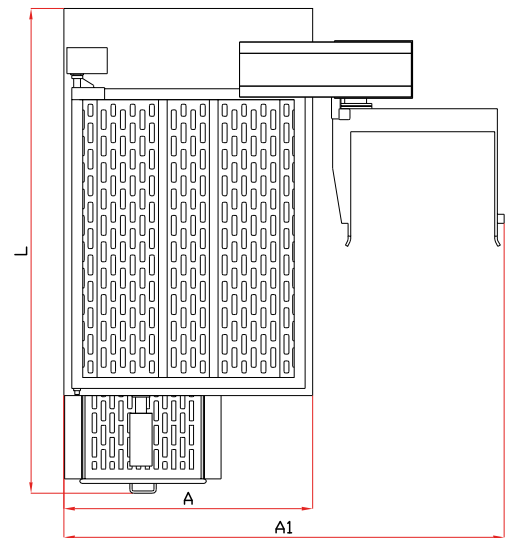
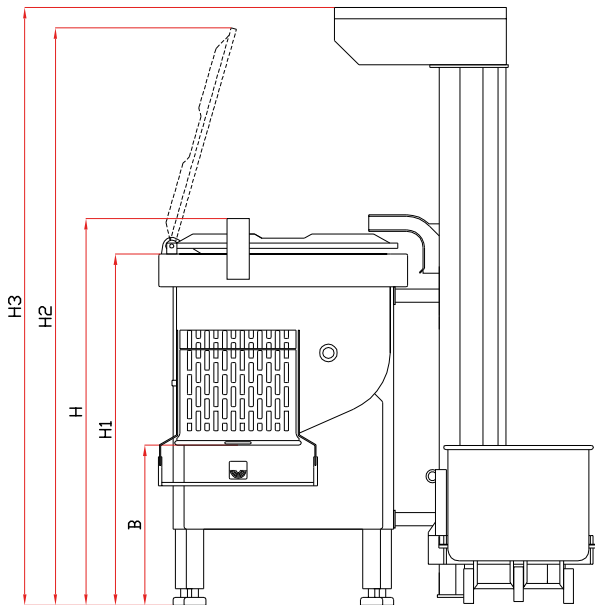


# Paddle Mixer MIX-900

www.nadratowski.com

Total capacity [L]	900
Max filling [L]	670
Installed Power [kW]	11,0
Loader option	PZ-2/250
Column Loader power [kW]	0,75
Standard control	button control panel
Shaft rotation speed [rpm]	16/32 II rotation speed & left/right rotation
Mixer net weight [kg]	1100
Unloading to bin DIN 9797	200 l
Opennig/closing lids	pneumatically



L [cm]	A [cm]	A1 [cm]	H [cm]	H1 [cm]	H2 [cm]	H3 [cm]	B [cm]
221	113	200	177	160	263	271	72±2

