



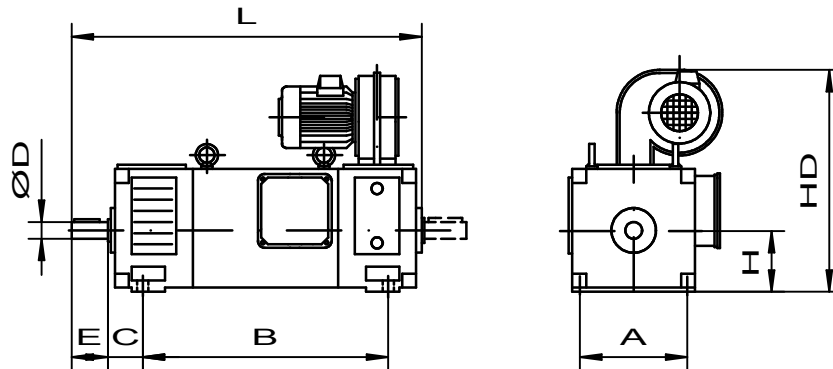
Dimensional drawing: Frame size 80.10 - 160.20

Three-phase-asynchronous motors IP 23

Type: D..I

Mounting: IM B3
IM 1001

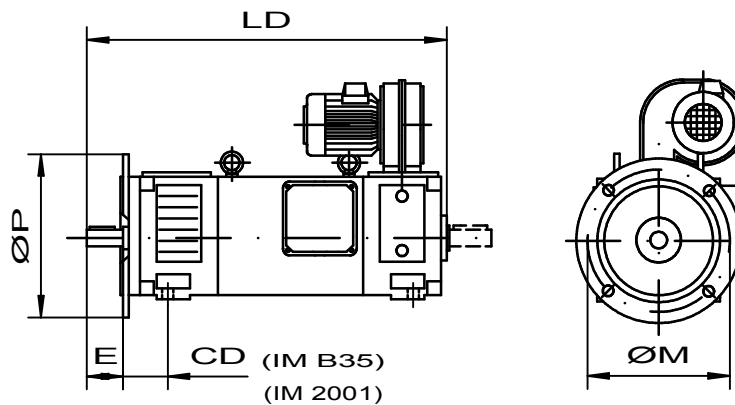
Cooling: IC 06



Type: D..FI

Mounting: IM B5
IM 3001

Cooling: IC 06



Type	A	B	C	CD	D	E	H	HD	L	LD	M	P	
80.10	125	306	50	74	28	60	80	325	458	482	130 165	160 200	
90.11	M L	140	322	56	79	38	80	90	377	492	515	215	250
165												200	
112.13	S M L	190	418	70	94	42	110	112	455	666	690	215	250
265												300	
300												350	
132.16	S L	216	492	89	115	55	110	132	547	778	813	265	300
300												350	
160.20	S	254	538	108	140	60	140	160	626	889	921	300	350
	M		538							889	921		
	L		638							989	1021		

This dimension sheet indicates standard dimensions. A detailed drawing is available on request.
Special requirements concerning electrical and mechanical design can be performed.
You also find these information on the Internet: www.w-winkelmann.com