

INCLINED AUGER SCREW CONVEYOR WITH ROUND HOPPER (8" AUGER)

This stainless steel inclined auger is very useful for conveying powders or granules.



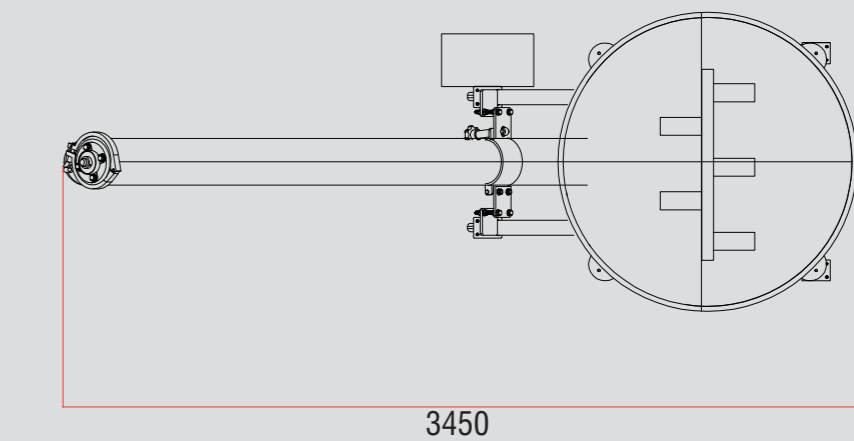
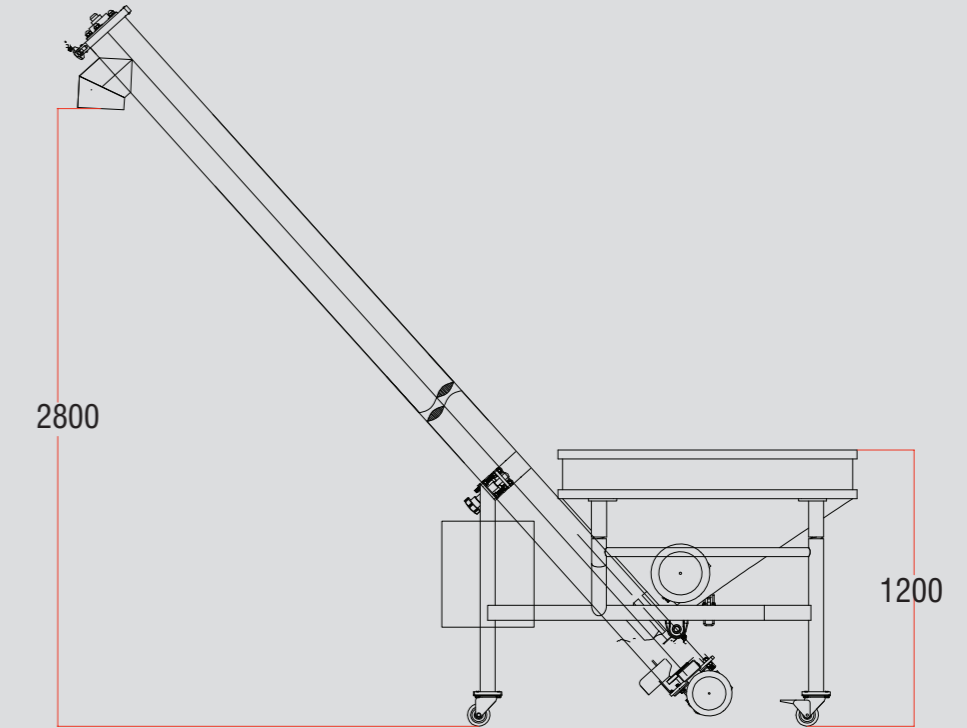
INCLINED AUGER SCREW CONVEYOR WITH ROUND HOPPER (8" AUGER)

STOCK ITEM: 16747

Specifications

- Discharge Height: 2,800 mm
- Capacity: 10 - 12 cbm/hr
- Hopper Size: 230 Ltr
- Auger Diameter: 8" (Approx. 225 mm)
- Power Supply: 3-Phase, 415V, 50Hz
- Feed Motor: 3,000 W
- Vibrating Motor: 120 W
- Safety Mesh and Lid: Included
- Stirrer Inside Hopper: Included

* Recommended Oil: TORA 220 or equivalent (if the gearbox is 7 years old or more, TORA 320 or equivalent).



PROCESSING & PACKAGING EQUIPMENT CUSTOM DESIGN SERVICES
For more information on this machines call sales: +61 3 9791 7011 or any others visit: www.iopak.com